

RSEAT RS1

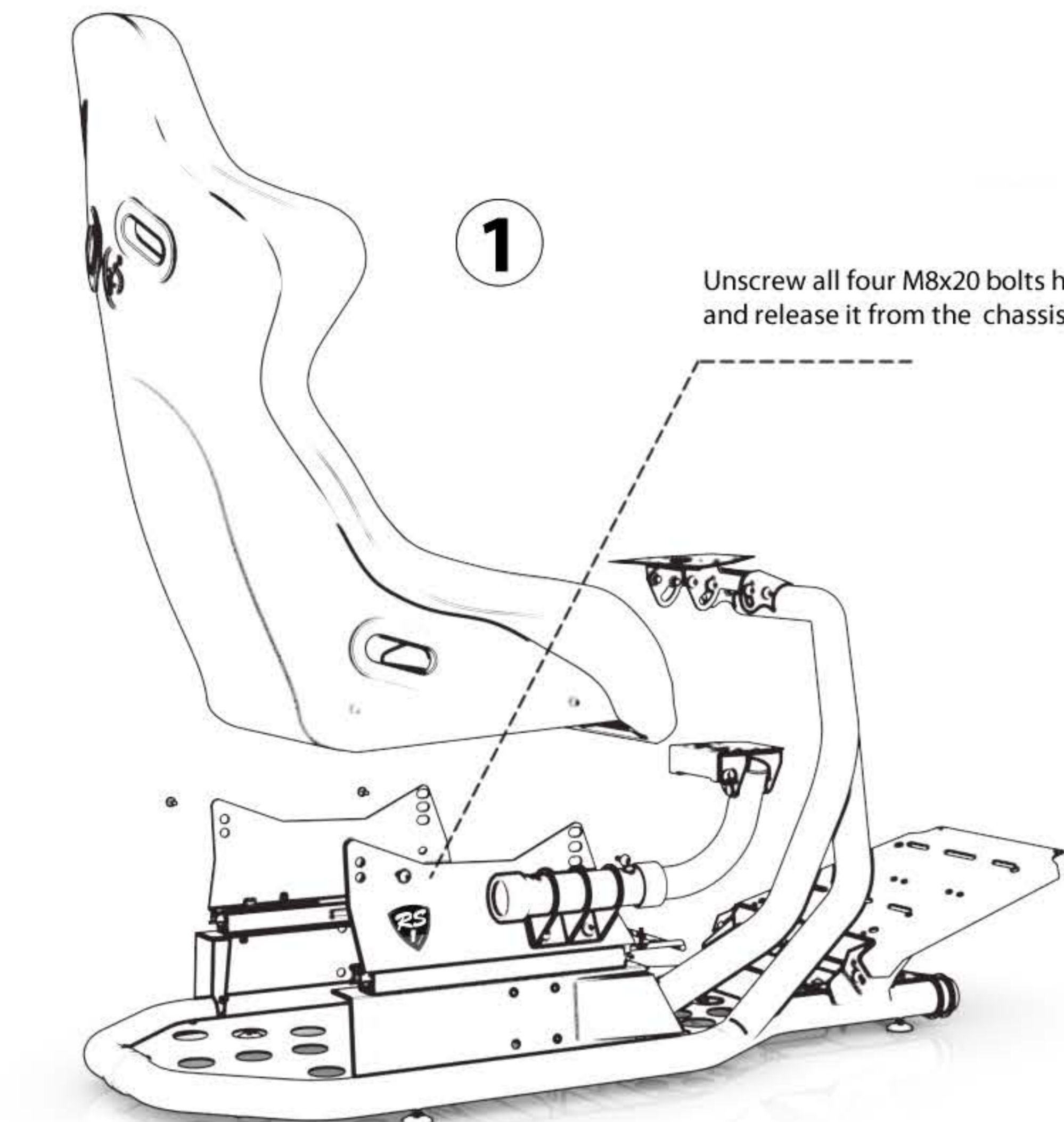
ASSEMBLY INSTRUCTIONS RS1 BUTTKICKER® MOUNT

⚠ WARNINGS

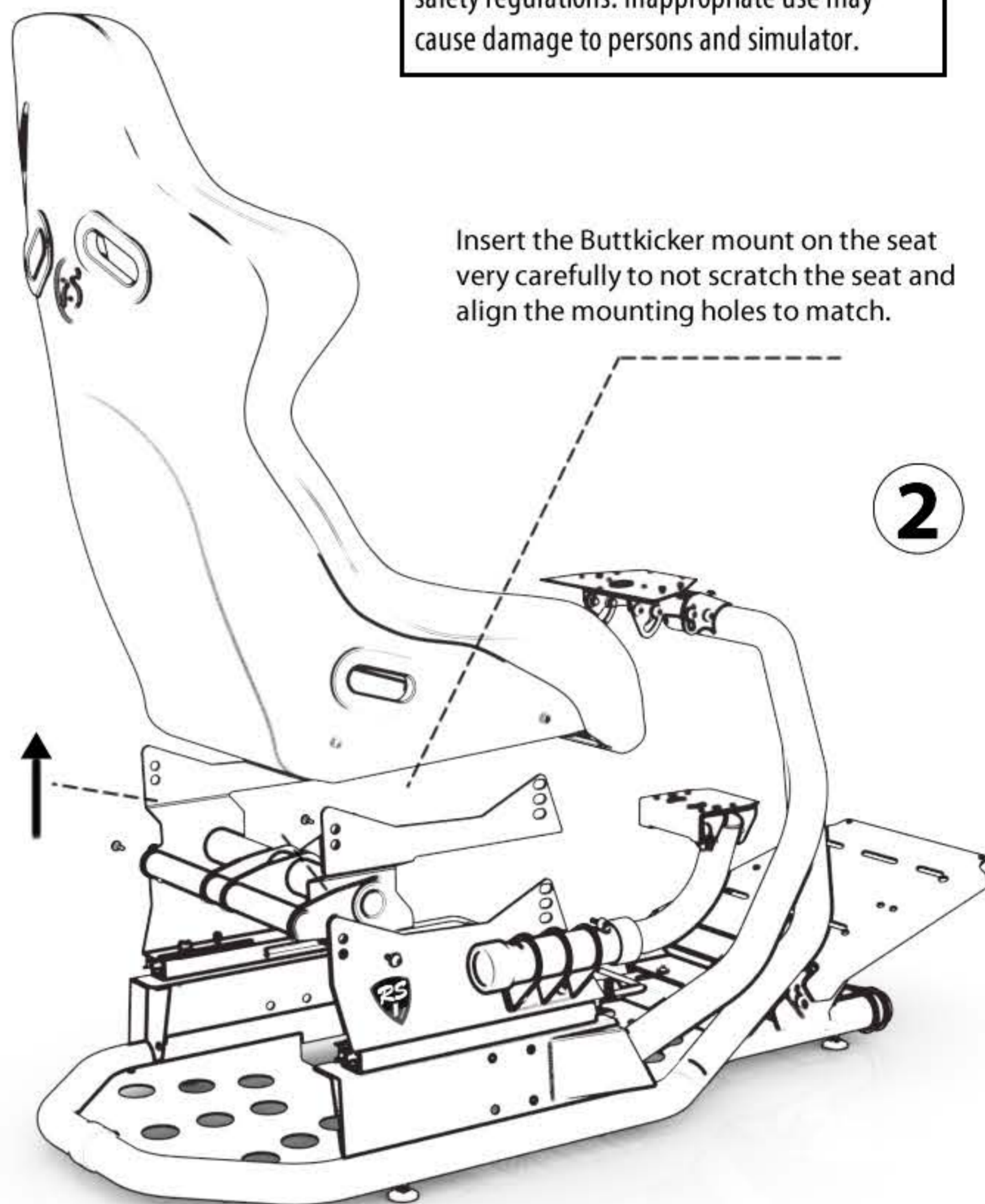
Before you begin assembling this simulator, please read all installation instructions and warnings thoroughly.

FAILURE TO COMPLY WITH OR OBSERVE ALL ASSEMBLY, SAFETY AND OPERATION INSTRUCTIONS AND WARNINGS REGARDING THE USE OF THIS PRODUCT MAY RESULT IN SERIOUS BODILY INJURY.

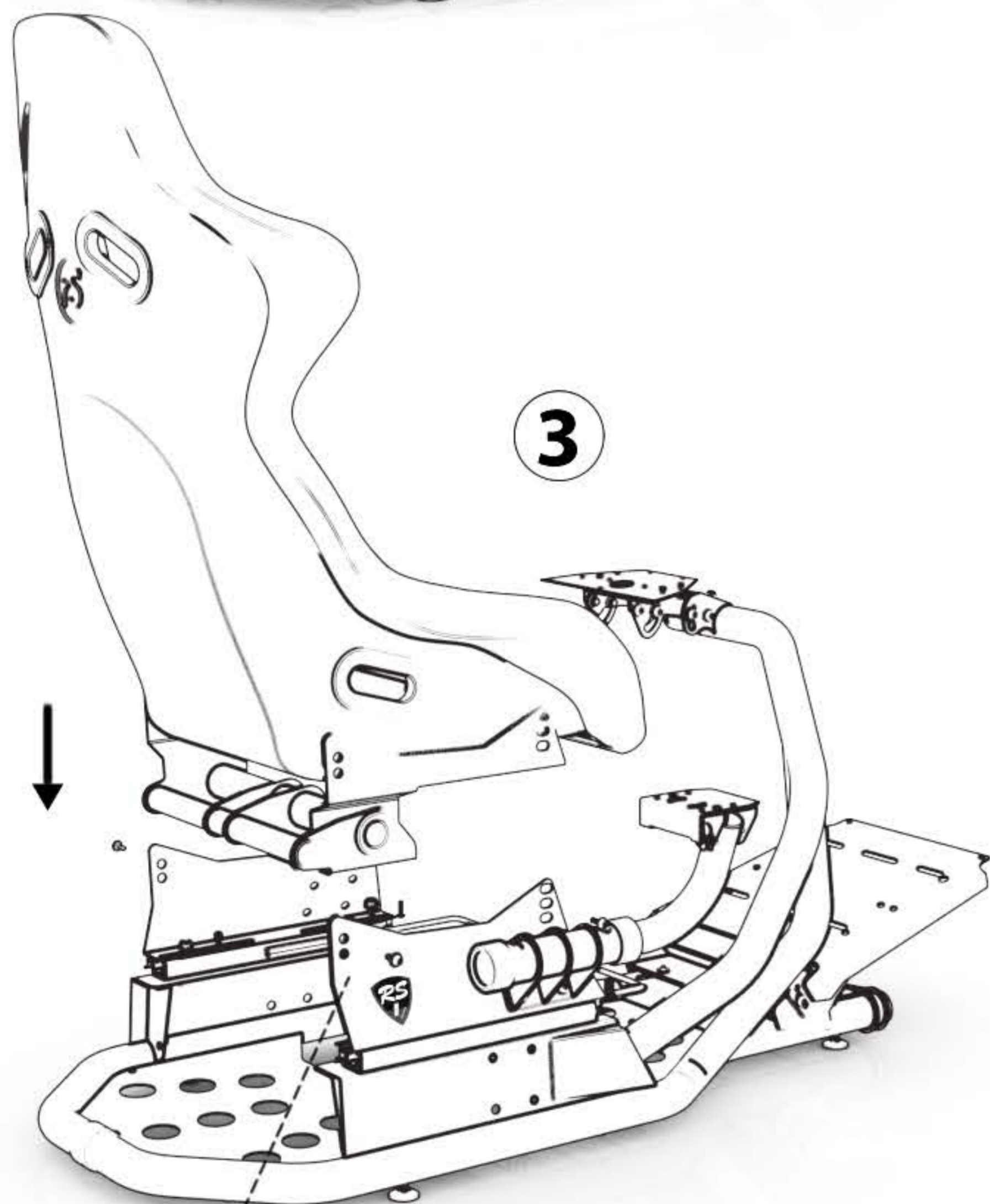
This simulator complies with the prescribed safety regulations. Inappropriate use may cause damage to persons and simulator.



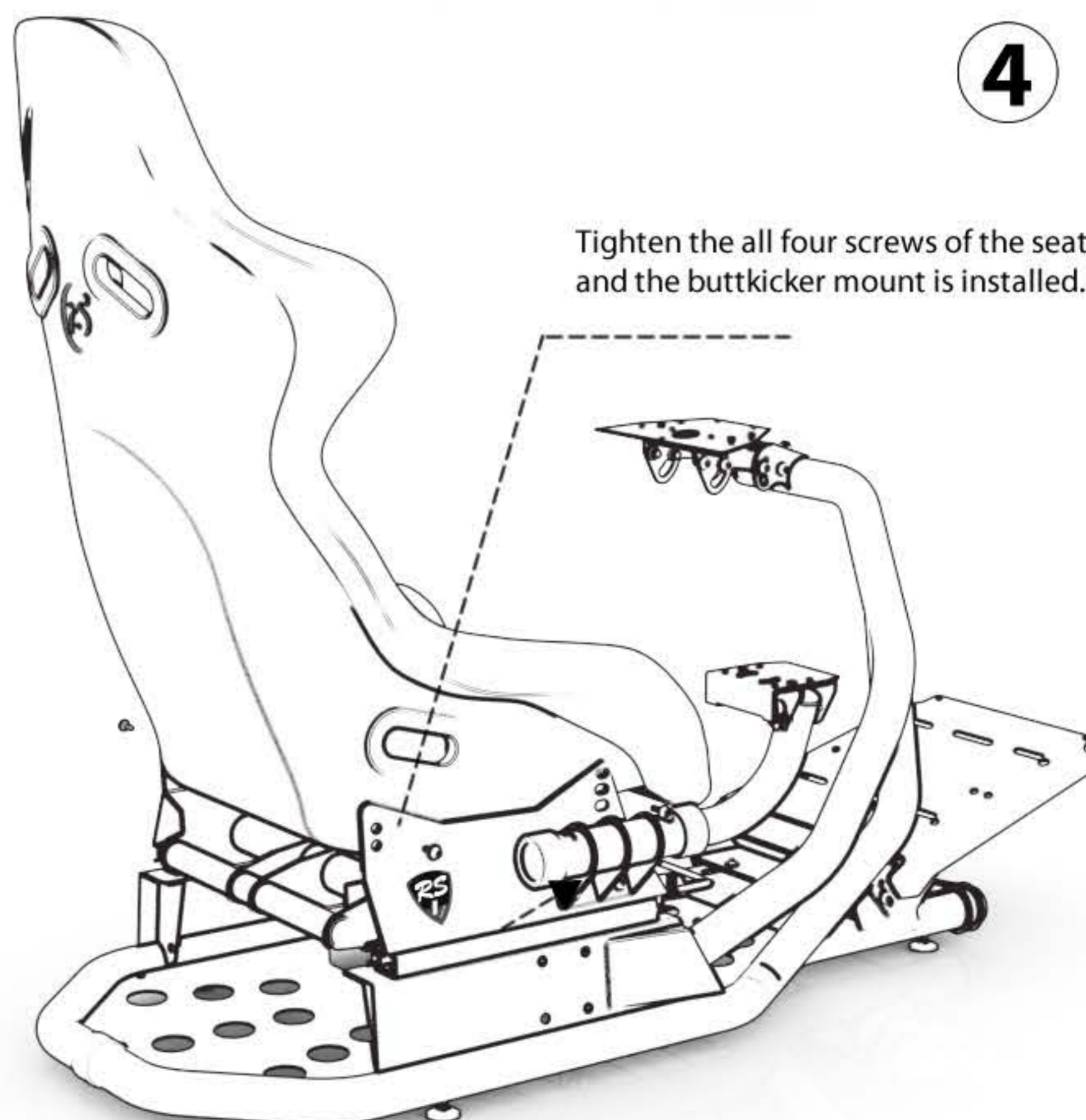
1 Unscrew all four M8x20 bolts holding the seat and release it from the chassis.



2 Insert the Buttkicker mount on the seat very carefully to not scratch the seat and align the mounting holes to match.



3 Put back the seat on the chassis with buttkicker installed and bolt it on the chassis very carefully. You can adjust the seat's angle as you like with buttkicker mount installed.



4 Tighten the all four screws of the seat and the buttkicker mount is installed.